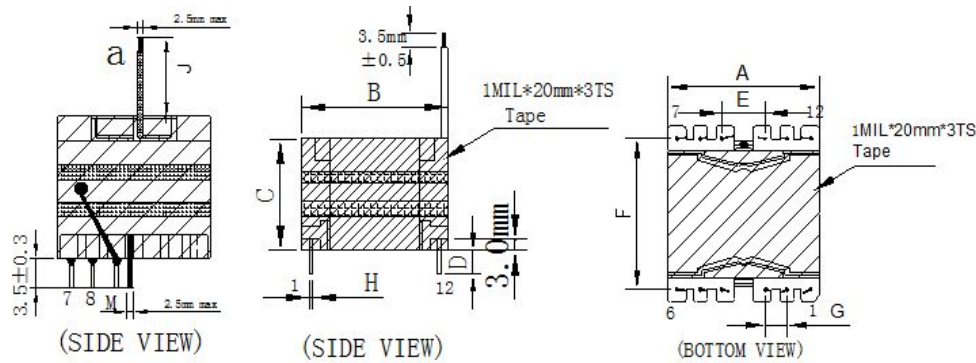


CUSTOMER TERMINAL	ROHS	Lead(Pb)-free
	YES	YES

## 1. Mechanical Dimensions



A	29.5	MAX
B	31.0	MAX
C	22.5	MAX
D	3.5	±0.5
E	7.6	±0.3
F	25.4	±0.4
G	3.8	±0.3
H	0.60	±0.1
J	40.0	±2.0

## 3. Material List

Core:FW95 PQ2620

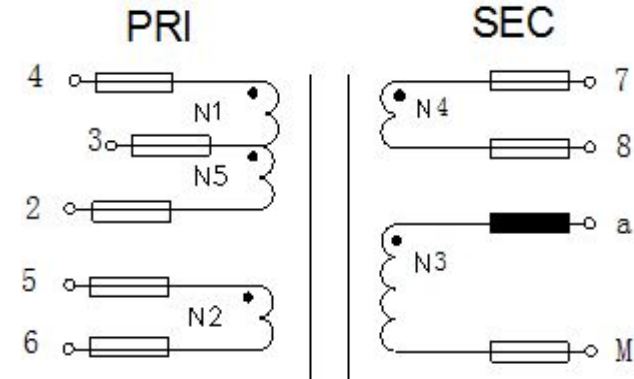
Bobbin:FWB2601(6+6PIN)

Wire:2UEW TIW

Copper foil: 0.025t\*8.0mm

Operating Temperature: -30 to115 °C

## 2. Schematic Diagram



## 4. Electrical Specification

Inductance: L(4-2):0.8mH±5% 50KHZ 、 1V

Leakage Inductance : 9uH MAX 50KHZ 、 1V

DCR:(4-2)=0.62ΩMAX (A-M)=56.5mΩMAX

Hi-Pot:P-S: AC 60Hz 4000V 1.0mA 3S

P-CORE: AC 60Hz 4000V 1.0mA 3S

REV.	DATE	<p>Convention Placement</p>	DRW.	Drawing Title:	Part No:		
0	00/00		CHK.			<b>TRANSFORMER</b>	FWPTPQ2620V801J-2
			APP.			Customer P/N	Specification Sheet 1of 1

**ROHS**

[www.ferriwo.com](http://www.ferriwo.com)